

# Westland

OVER THE TOWER BIMINI ASSEMBLY INSTRUCTIONS  
WITH STAINLESS STEEL HARDWARE

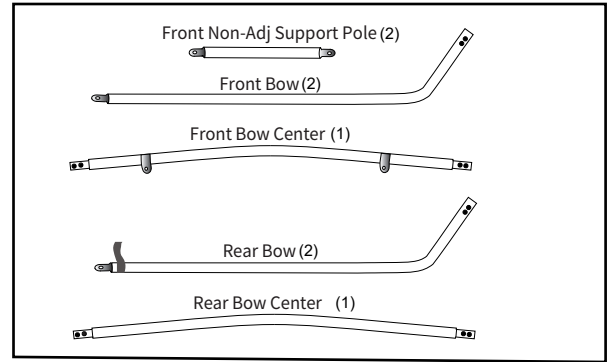
## MONSTER - XL MTK TOWER

PART# MT XLMTK NN1-3BS0AA  
MT XLMTK NN1-3BS0AH



### PACKAGE CONTENTS

#### BOW PIECES



#### HARDWARE & STRAP KIT



#8 5/8" Screw  
(8) #100340



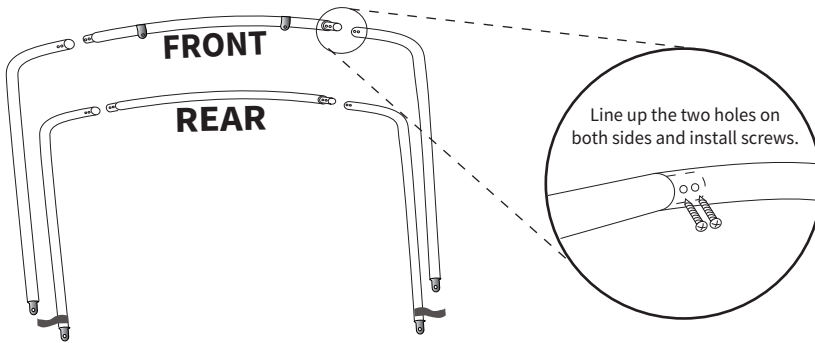
36" Adjustable (2)  
Hold Down Strap

#### TOOLS REQUIRED

\*Phillips and Flat Head Screwdrivers

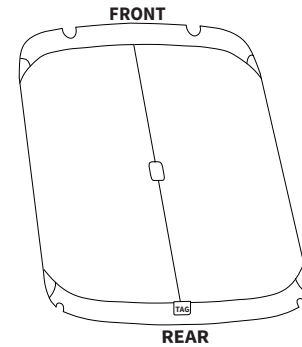
### STEP ONE :

Assemble your Front & Rear Bow pieces by inserting the screws as shown below.



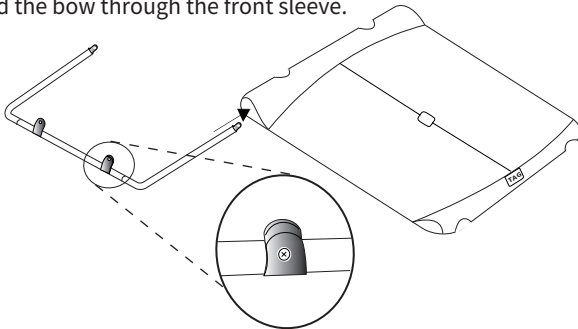
### STEP TWO :

Lay bimini fabric face down on a flat clean surface.  
(Label will be sewn into the rear sleeve)



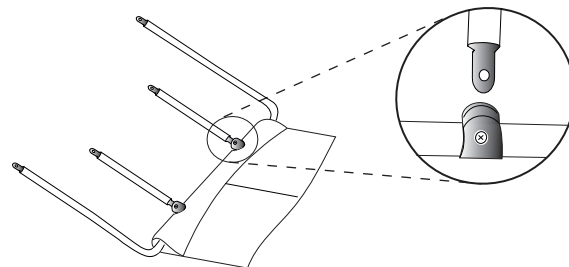
### STEP THREE :

Position the Front Bow with the jaw slide screw heads face up.  
Thread the bow through the front sleeve.



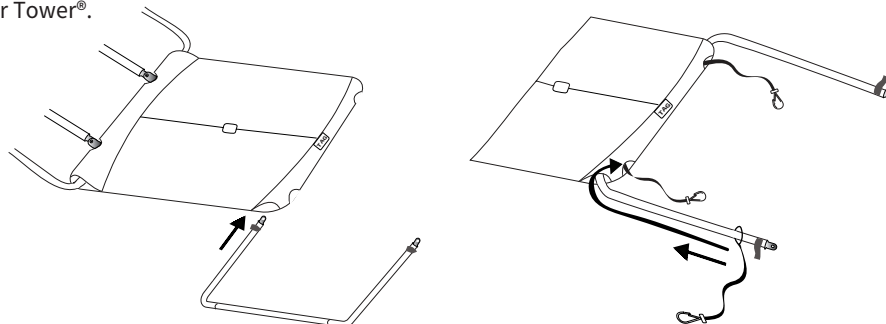
### STEP FOUR :

Attach both non adjustable support poles to the jaw slides, on the front bow.



### STEP FIVE :

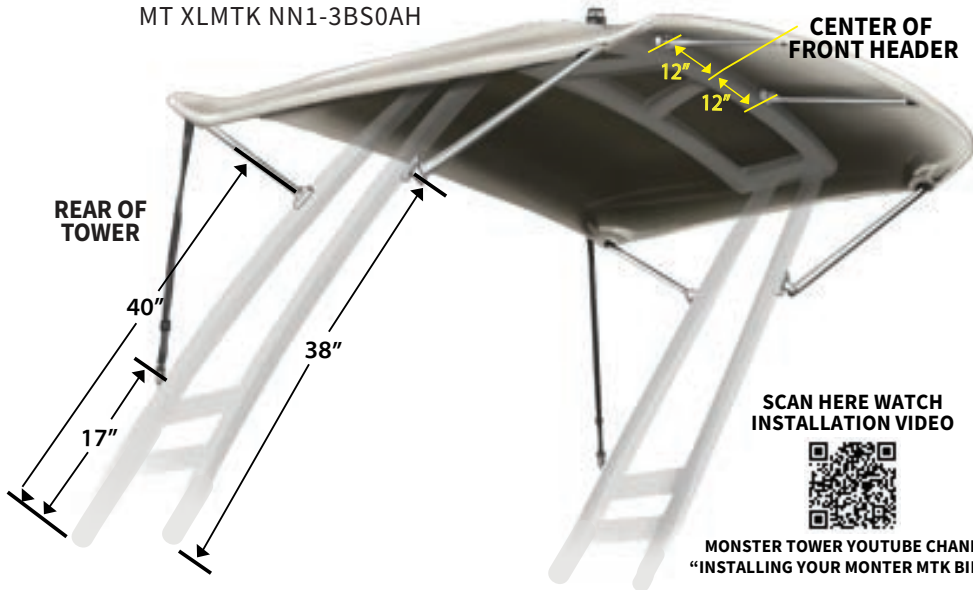
Thread the rear bow through the rear sleeve. Next, slip the looped end of the adjustable straps over each end of the rear bow.  
Feed the straps into the sleeve of the top, pulling the straps out at the designated cut out. Your Bimini is now fully assembled and ready to install onto your Moster Tower®.



# MONSTER - XL MTK TOWER

## BIMINI MOUNTING INSTRUCTIONS

PART# MT XLMTK NN1-3BS0AA  
MT XLMTK NN1-3BS0AH




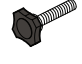
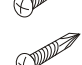


SCAN HERE WATCH  
INSTALLATION VIDEO



MONSTER TOWER YOUTUBE CHANNEL  
"INSTALLING YOUR MONTER MTK BIMINI"

### PACKAGE CONTENTS

#### HARDWARE PACKAGE

-  **6 - SWIVEL MOUNT**  
180 SS (200831)
-  **6 - BLACK TWIST-KNOBS**  
1/4" - 20 X 1 1/4" (101180)
-  **12 - PHIL FLAT TEK SCREW**  
#10 X 3/4" (100470)
-  **4 - PHIL FLAT TEK SCREW**  
#8 X 3/4" (100390)
-  **2 - STRAP EYES** (101060)

#### ASSEMBLY PACKAGE

-  **2 - 36" REAR HOLD DOWN STRAPS**

#### TOOLS REQUIRED

Power Drill, Tape Measure

#### RECOMMENDED/EXTRA TOOLS

Marking Instrument, 1/64th Drill Bit for Pilot Holes

**NOTE : ENSURE ALL HARDWARE HAS BEEN INCLUDED BEFORE BEGINNING**

### STEP ONE :



Starting at the bottom of the **REAR** tower leg, measure 17" inches up the **BACKSIDE** of the leg and mark center. Line this mark up with the **BOTTOM** hole of the strap eye. Install screws. Strap eye should run parallel with tower leg.

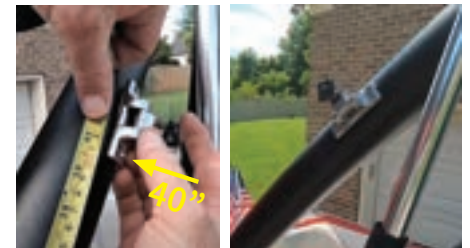


### STEP TWO :



On the same **REAR** leg starting from the bottom move to the **OUTSIDE** of the leg and measure up 40" inches and mark center. Line this mark up with the **BOTTOM** hole of the swivel mount. Install screws. Place twist-knob in mount, head will face outward.

**(REPEAT STEPS 1 & 2 ON OPPOSITE REAR LEG)**

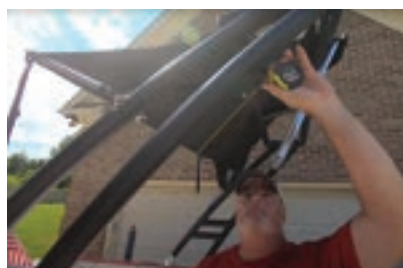


### STEP THREE :



Starting at the bottom of the **FRONT** tower leg measure 38" inches up the **FRONTSIDE** of the leg and mark center. Line this mark up with the **BOTTOM** hole of the swivel mount. Install screws. Place twist-knob in mount, head will face outside outward.

**(REPEAT THIS STEP ON OPPOSITE FRONT LEG)**

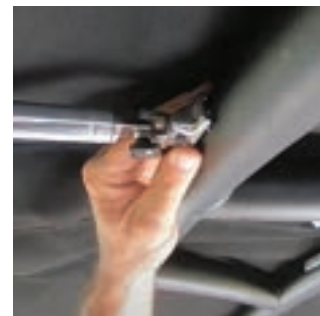
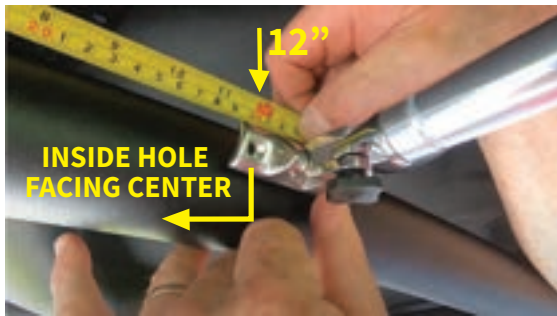
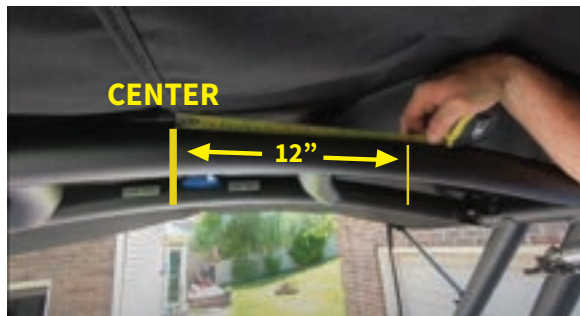


## STEP FOUR :

Moving to the **FRONTSIDE** of your header bar, measure 12” inches off **CENTER TO THE RIGHT**, place a mark in the center. Line this mark up with the **INSIDE** hole of the swivel mount facing the center of the tower. Swivel mount should run horizontal with header bar. Install Screws.

Place twist-knob in mount, head will face downward.

**(REPEAT - LEFT OF CENTER)**



## STEP FIVE :

To secure the Bimini to the tower unfold the Bimini and place over the tower. The white tag will face the rear of the boat. Make sure to place the ski tow thru the hole in the center of the Bimini.

Place all four Bimini legs into the four swivel mounts on the tower legs, tighten down twist-knobs.

Now attach the front two center support poles into the swivel mounts on the header bar, tighten down twist-knobs.

At the rear of the Bimini attach both adjustable straps to the rear strap eyes.

Tighten the two support straps down until they are taut.



## YOUR INSTALLATION IS NOW COMPLETE!

If you have any questions during this process please dont hesitate to call us at #800-835-7992 OR, Email : [customerservice@westlandcovers.com](mailto:customerservice@westlandcovers.com)



[SCAN HERE TO WATCH INSTALLATION VIDEO](#)

*MONSTER TOWER YOUTUBE CHANNEL*

*“INSTALLING YOUR MONTER MTK BIMINI”*

**PLEASE NOTE:** Your tow rope will now go over the new Bimini and attach to the tow point.

It will not interfere with performance but, may come into contact with the rear of the Bimini while a rider is beginning or ending their run.